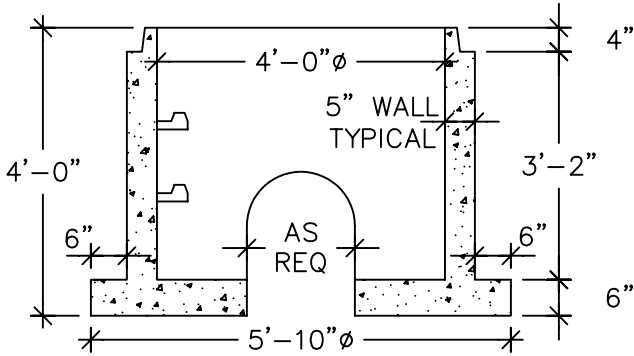


# 4' DIAMETER MANHOLE BASES

MANHOLE DESIGN SPECIFICATION  
CONFORMS TO LATEST:  
ASTM DESIGNATION C478

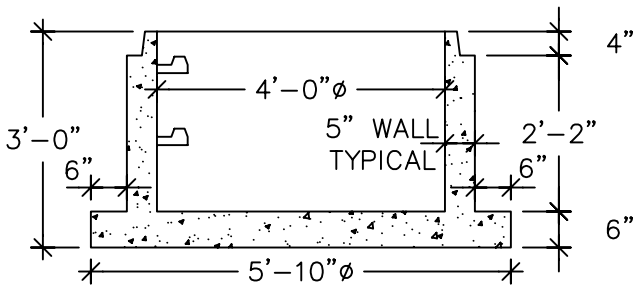
NOTES:

1. SEE 4' DIA. MANHOLE COMPONENTS  
FOR TYPICAL NOTES.



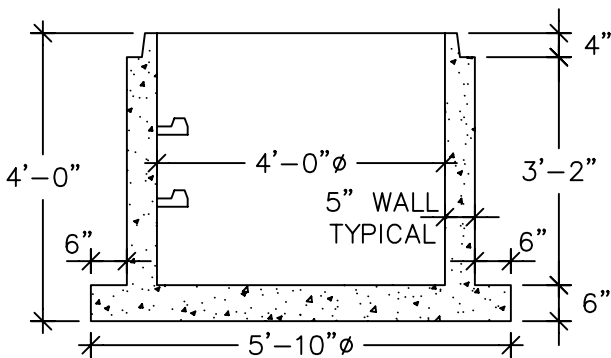
4' DOGHOUSE BASE

SEE BELOW FOR ADDITIONAL BASES AVAILABLE



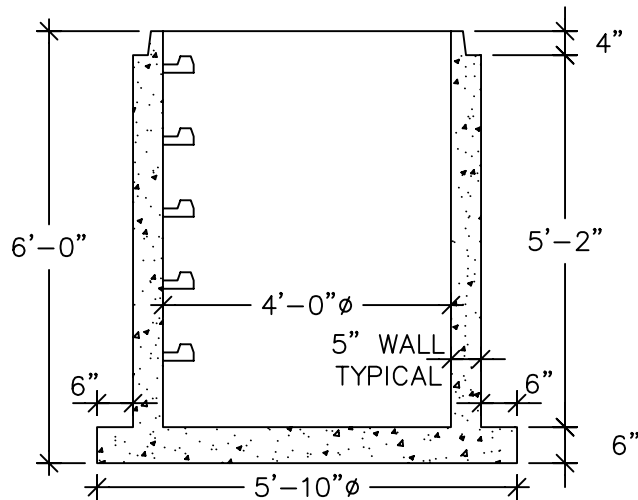
3' BASE

APPROX WEIGHT: 4000 LBS.



4' BASE

APPROX WEIGHT: 4700 LBS.



6' BASE

APPROX WEIGHT: 6600 LBS.



**UNITED CONCRETE PRODUCTS INC.**

173 CHURCH STREET  
YALESVILLE, CT 06492

TEL. 800 234-3119  
(203) 269-3119

FAX. (203) 265-4941