

TYPICAL BASE CROSS SECTION
APPROX. WEIGHT: 7000 LBS.

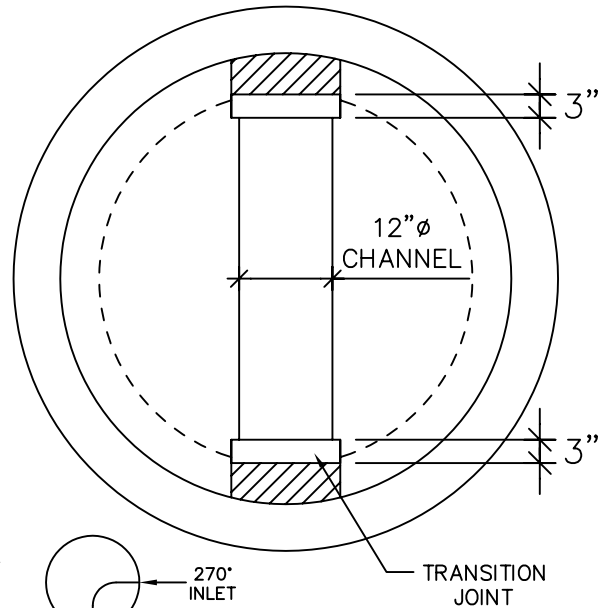
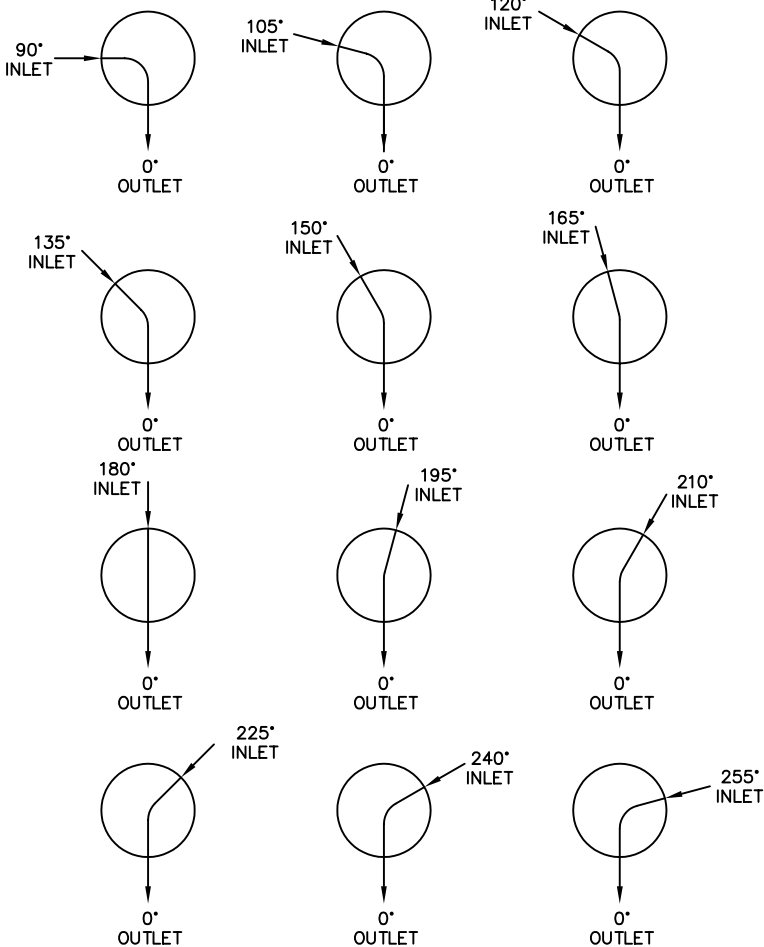
NOTE A: INDICATES MORTAR TRANSITION JOINT ON STANDARD INVERT BASES AT INLET AND OUTLET.

4' DIAMETER MANHOLE BASES WITH PRECAST INVERTS

MANHOLE DESIGN SPECIFICATION
CONFORMS TO LATEST:
ASTM DESIGNATION C478

NOTES:

1. CONCRETE COMPRESSIVE STRENGTH- 4000 PSI AT 28 DAYS.
2. METHOD OF MANUFACTURE: WET CAST.
3. BASE SECTION IS MONOLITHIC.
4. 3 WAY AND 4 WAY CAST IN PLACE CUSTOM INVERTS CAN BE MADE, FOR ADDITIONAL COST.
5. MAXIMUM INLET AND OUTLET PIPE INSIDE DIAMETER IS 10".
6. SEE 4' DIA. MANHOLE COMPONENTS FOR ADDITIONAL NOTES.



STANDARD CAST IN PLACE INVERTS AVAILABLE



UNITED CONCRETE PRODUCTS INC.

173 CHURCH STREET
YALESVILLE, CT 06492

TEL. 800 234-3119
(203) 269-3119

FAX. (203) 265-4941