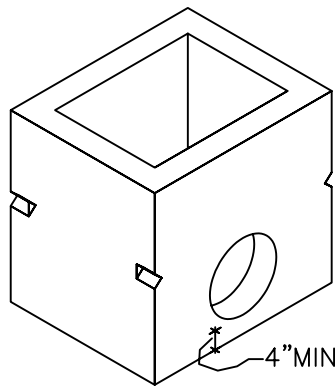


RISER

HEIGHTS AVAILABLE:
1' TO 5'



KNOCKOUT AS
REQUIRED

STATE CATCH BASIN COMPONENTS

DESIGN COMFORMS TO CDOT
AND LOCAL SPECIFICATIONS.

NOTES:

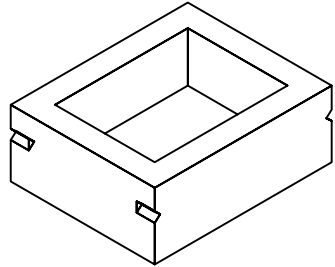
1. REINFORCING STEEL WELDED WIRE FABRIC CONFORMS TO LATEST ASTM SPECIFICATION A185.
2. REINFORCING STEEL DEFORMED BARS CONFORM TO LATEST ASTM SPECIFICATION A615.
3. CONCRETE COMPRESSIVE STRENGTH- 4000 PSI AT 28 DAYS.
4. METHOD OF MANUFACTURE: WET CAST.
5. SECTION IS MONOLITHIC.
6. DESIGN LOAD: AASHTO H-20
7. SEE STANDARD CATCH BASIN COMPONENTS OR OPTIONS FOR AVAILABLE CORBELS, TOPS, AND SLABS.

WEIGHT CHART

PRODUCT	APPROX WEIGHT
8" WALL SUMP	4250 LBS.
8" WALL RISER PER FOOT	1700 LBS.
12" WALL SUMP	6300 LBS.
12" WALL RISER PER FOOT	2700 LBS.

2' SUMP

HEIGHT:
INSIDE 18"
OUTSIDE 26"



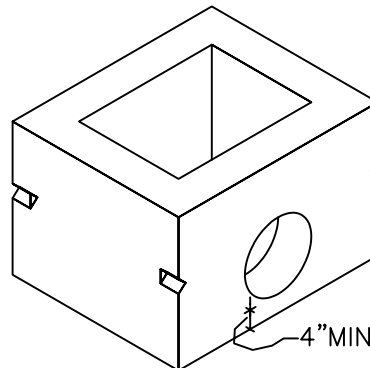
4' SUMP

HEIGHT:
INSIDE 48"
OUTSIDE 56"

8" WALL

RISER

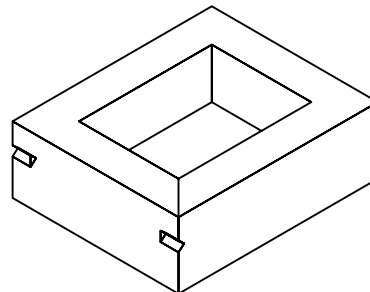
HEIGHTS AVAILABLE:
1' TO 4'



KNOCKOUT AS
REQUIRED

SUMP

HEIGHT:
INSIDE 18"
OUTSIDE 30"



12" WALL
(FOR DEPTHS OF 10' OR GREATER)



UNITED CONCRETE PRODUCTS INC.

173 CHURCH STREET
YALESVILLE, CT 06492

TEL. 800 234-3119
(203) 269-3119

FAX. (203) 265-4941