

TYPE I CATCH BASIN COMPONENTS

DESIGN COMFORMS TO CDOT
AND LOCAL SPECIFICATIONS.

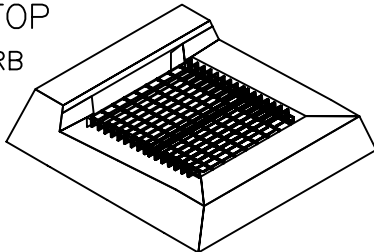
NOTES:

1. REINFORCING STEEL WELDED WIRE FABRIC CONFORMS TO LATEST ASTM SPECIFICATION A185.
2. REINFORCING STEEL DEFORMED BARS CONFORM TO LATEST ASTM SPECIFICATION A615.
3. CONCRETE COMPRESSIVE STRENGTH- 4000 PSI AT 28 DAYS.
4. METHOD OF MANUFACTURE: WET CAST.
5. SECTION IS MONOLITHIC.
6. DESIGN LOAD: AASHTO H-20

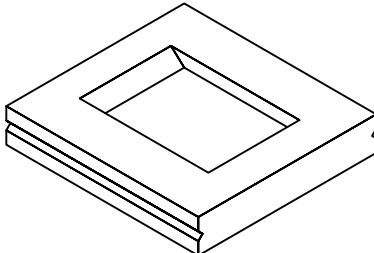
WEIGHT CHART

PRODUCT	APPROX WEIGHT
6" BASE SLAB	2300 LBS.
SUMP	5200 LBS.
RISER WALL PER FOOT	1950 LBS.
CORBEL	2500 LBS.

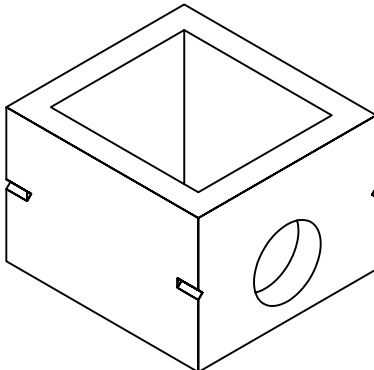
CATCH BASIN TOP
TYPE "C" CONC CURB
TOP SHOWN.
ADDITIONAL TOPS
AVAILABLE.



CORBEL
HEIGHT AVAILABLE:
12"

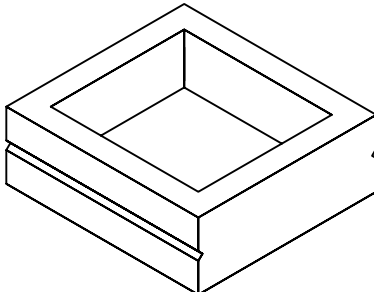


RISER
HEIGHTS AVAILABLE:
1' TO 4'

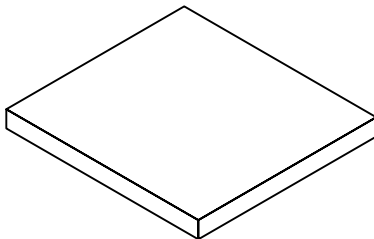


KNOCKOUT AS
REQUIRED

SUMP
HEIGHT:
INSIDE 18"
OUTSIDE 26"



BASE SLAB
HEIGHT:
8"



UNITED CONCRETE PRODUCTS INC.

173 CHURCH STREET
YALESVILLE, CT 06492

TEL. 800 234-3119
(203) 269-3119

FAX. (203) 265-4941