

TYPE I CATCH BASIN CORBEL

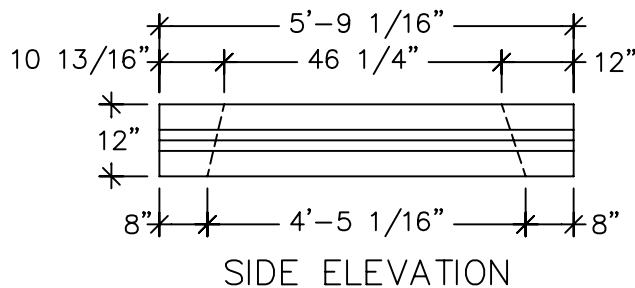
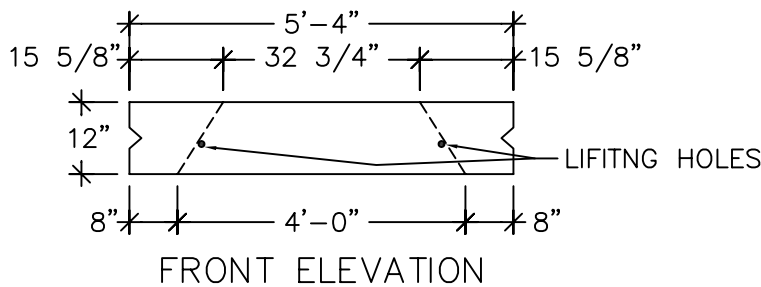
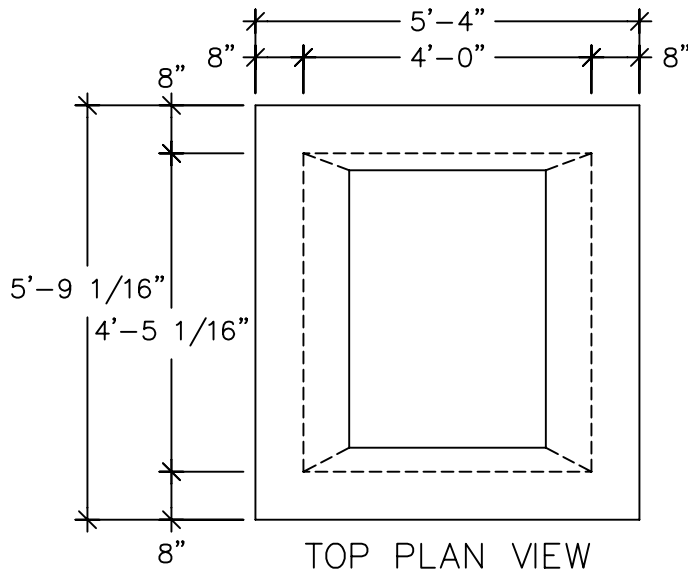
DESIGN COMFORMS TO CDOT
AND LOCAL SPECIFICATIONS.

NOTES:

1. REINFORCING STEEL DEFORMED BARS CONFORM TO LATEST ASTM SPECIFICATION A615.
2. CONCRETE COMPRESSIVE STRENGTH- 4000 PSI AT 28 DAYS.
3. METHOD OF MANUFACTURE: WET CAST.
4. SECTION IS MONOLITHIC.
5. DESIGN LOAD: AASHTO H-20

WEIGHT CHART

PRODUCT	APPROX WEIGHT
CORBEL	2500 LBS.



UNITED CONCRETE PRODUCTS INC.

173 CHURCH STREET
YALESVILLE, CT 06492

TEL. 800 234-3119
(203) 269-3119

FAX. (203) 265-4941