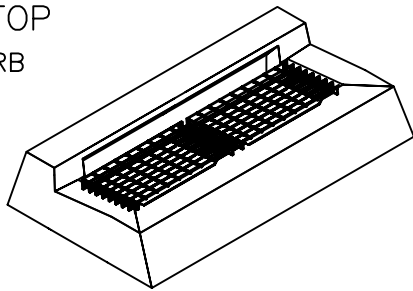
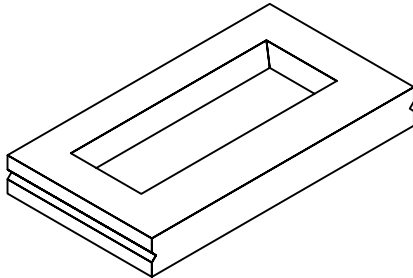


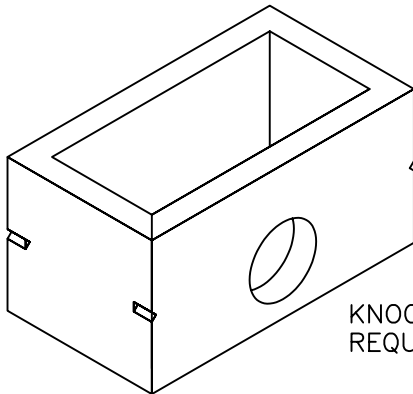
CATCH BASIN TOP  
 TYPE "C" CONC CURB  
 TOP SHOWN.  
 ADDITIONAL TOPS  
 AVAILABLE.



CORBEL  
 HEIGHT AVAILABLE:  
 12"

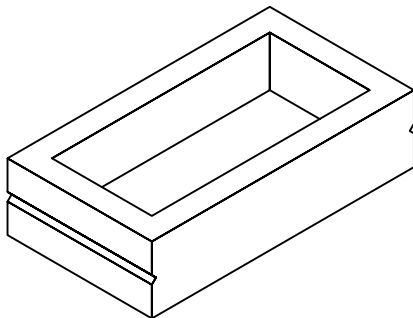


RISER  
 HEIGHTS AVAILABLE:  
 1' TO 4'

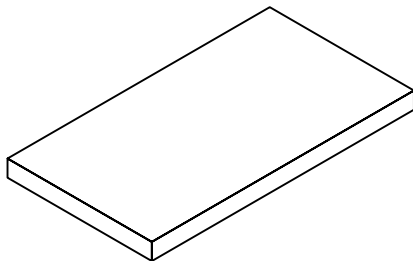


KNOCKOUT AS  
 REQUIRED

SUMP  
 HEIGHT:  
 INSIDE 18"  
 OUTSIDE 26"



BASE SLAB  
 HEIGHT:  
 6"



# TYPE II CATCH BASIN COMPONENTS

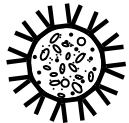
DESIGN COMFORMS TO CDOT  
 AND LOCAL SPECIFICATIONS.

NOTES:

1. REINFORCING STEEL WELDED WIRE FABRIC CONFORMS TO LATEST ASTM SPECIFICATION A185.
2. REINFORCING STEEL DEFORMED BARS CONFORM TO LATEST ASTM SPECIFICATION A615.
3. CONCRETE COMPRESSIVE STRENGTH- 4000 PSI AT 28 DAYS.
4. METHOD OF MANUFACTURE: WET CAST.
5. SECTION IS MONOLITHIC.
6. DESIGN LOAD: AASHTO H-20

WEIGHT CHART

PRODUCT	APPROX WEIGHT
6" BASE SLAB	2600 LBS.
SUMP	5800 LBS.
RISER WALL PER FOOT	2050 LBS.
CORBEL	2700 LBS.



**UNITED CONCRETE PRODUCTS INC.**

173 CHURCH STREET  
 YALESVILLE, CT 06492

TEL. 800 234-3119  
 (203) 269-3119

FAX. (203) 265-4941