

TYPE II CATCH BASIN BASE SLAB AND SUMP

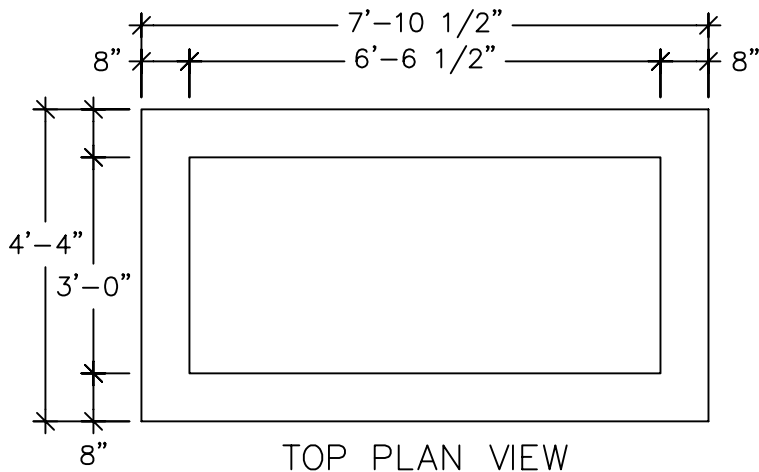
DESIGN COMFORMS TO CDOT
AND LOCAL SPECIFICATIONS.

NOTES:

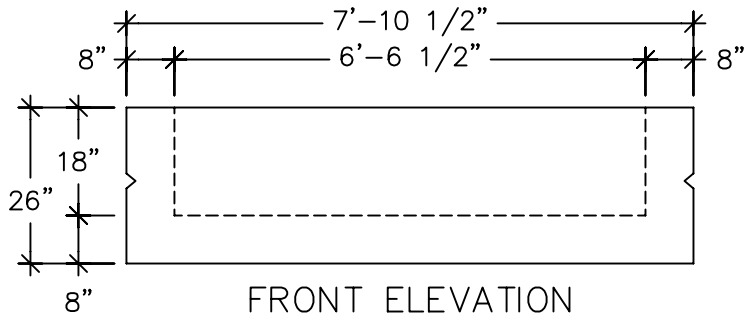
1. REINFORCING STEEL WELDED WIRE FABRIC CONFORMS TO LATEST ASTM SPECIFICATION A185.
2. REINFORCING STEEL DEFORMED BARS CONFORM TO LATEST ASTM SPECIFICATION A615.
3. CONCRETE COMPRESSIVE STRENGTH- 4000 PSI AT 28 DAYS.
4. METHOD OF MANUFACTURE: WET CAST.
5. SECTION IS MONOLITHIC.
6. DESIGN LOAD: AASHTO H-20

WEIGHT CHART

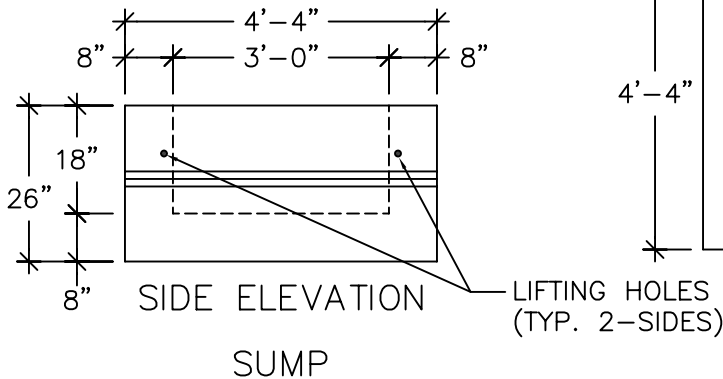
PRODUCT	APPROX WEIGHT
8" BASE SLAB	3350 LBS.
SUMP	5800 LBS.



TOP PLAN VIEW



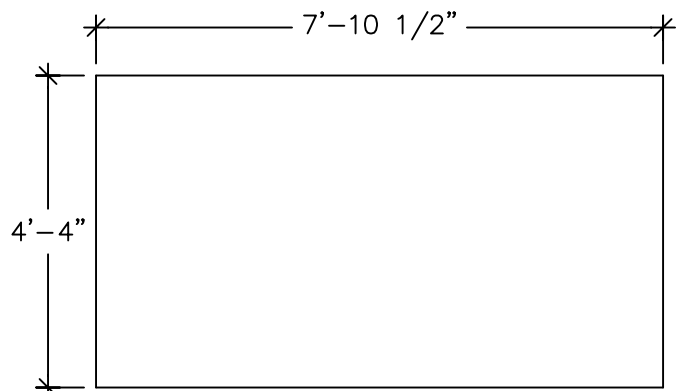
FRONT ELEVATION



SIDE ELEVATION

SUMP

LIFTING HOLES
(TYP. 2-SIDES)



TOP PLAN VIEW
SLAB IS 8" THICK
BASE SLAB



UNITED CONCRETE PRODUCTS INC.

173 CHURCH STREET
YALESVILLE, CT 06492

TEL. 800 234-3119
(203) 269-3119

FAX. (203) 265-4941