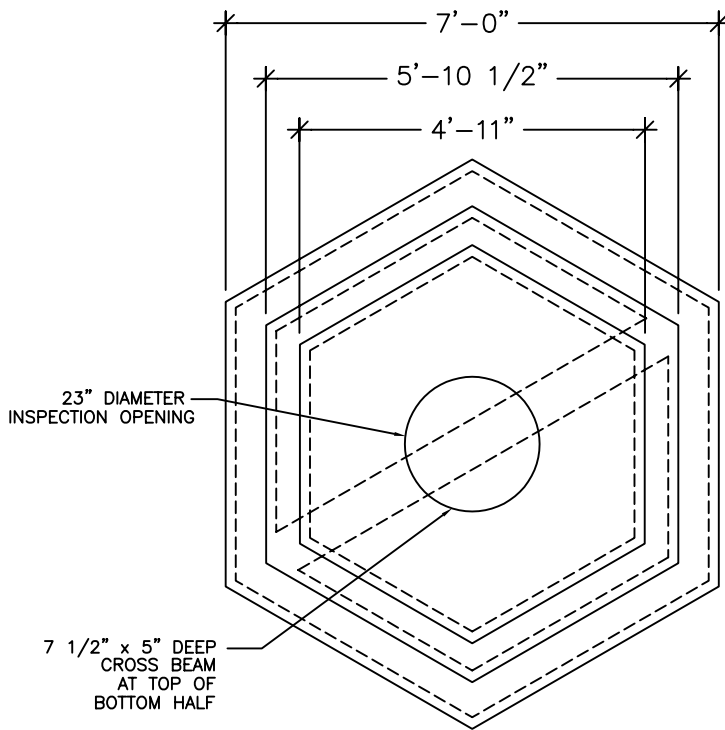


# 2200 GALLON DRY WELL

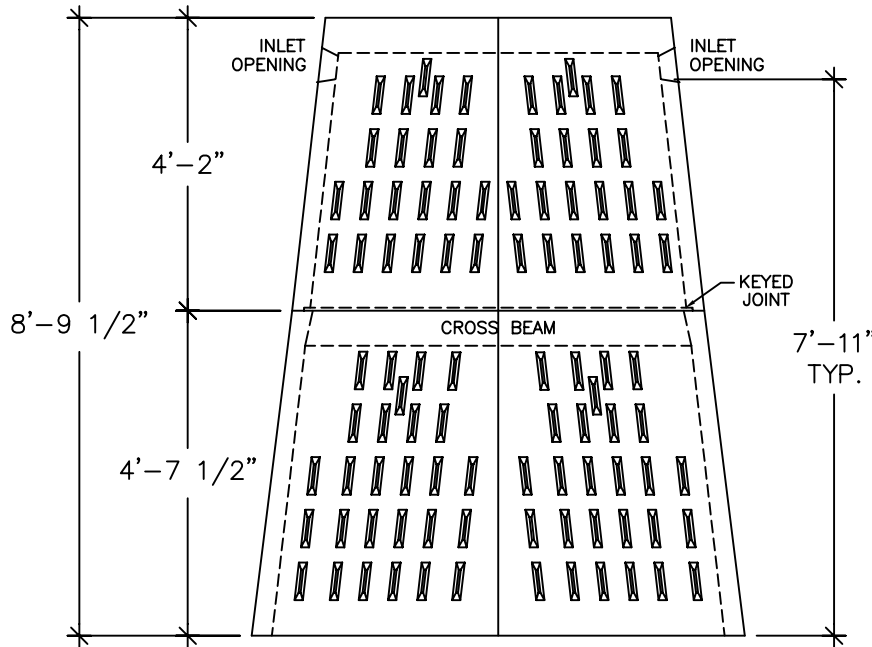
GALLEY DESIGN SPECIFICATIONS  
 CONFORMS TO LATEST:  
 ASTM DESIGNATION C913

**NOTES:**

1. PIPE INLET LOCATIONS HAVE 4" DIAMETER KNOCKOUTS, TYPICAL. CUSTOM KNOCKOUTS CAN BE CAST ON REQUEST.
2. REINFORCING STEEL DEFORMED BARS CONFORM TO LATEST ASTM SPECIFICATION A615.
3. CONCRETE COMPRESSIVE STRENGTH- 4000 PSI AT 28 DAYS.
4. METHOD OF MANUFACTURE: WET CAST.
5. EACH SECTION IS MONOLITHIC.
6. DESIGNED FOR HS-20 LOADING.



TOP VIEW  
 (ROOF SLAB THICKNESS IS 6'')



SIDE VIEW  
 (WALL THICKNESS IS 3'')

**WEIGHT CHART**

PRODUCT	APPROX WEIGHT
2200 GALLON DRY WELL	6800 LBS.

**LEACHING DATA**

FLOW LINE (INCHES)	LEACHING (Gall/VF)	LEACHING (FT <sup>2</sup> /UNIT)	INSIDE CAPACITY (GALLONS)
7'-9"	305	35.2	2200



## UNITED CONCRETE PRODUCTS INC.

173 CHURCH STREET  
 YALESVILLE, CT 06492

TEL. 800 234-3119  
 (203) 269-3119

FAX. (203) 265-4941