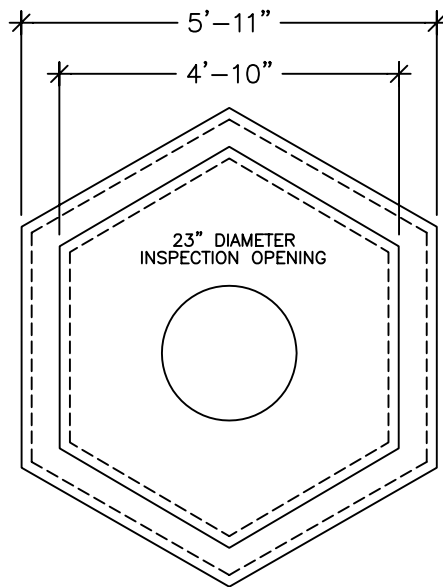


# 900 GALLON DRY WELL

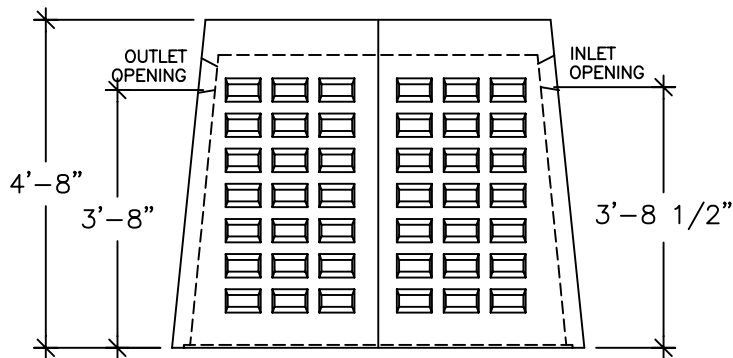
GALLEY DESIGN SPECIFICATIONS  
CONFORMS TO LATEST:  
ASTM DESIGNATION C913

NOTES:

1. PIPE INLET LOCATIONS HAVE 4" DIAMETER KNOCKOUTS, TYPICAL. CUSTOM KNOCKOUTS CAN BE CAST ON REQUEST.
2. REINFORCING STEEL DEFORMED BARS CONFORM TO LATEST ASTM SPECIFICATION A615.
3. CONCRETE COMPRESSIVE STRENGTH- 4000 PSI AT 28 DAYS.
4. METHOD OF MANUFACTURE: WET CAST.
5. EACH SECTION IS MONOLITHIC.
6. DESIGNED FOR HS-20 LOADING.



TOP VIEW  
(ROOF SLAB THICKNESS IS 5 1/2")



SIDE VIEW  
(WALL THICKNESS IS 3")

WEIGHT CHART

PRODUCT	APPROX WEIGHT
900 GALLON DRY WELL	3250 LBS.

LEACHING DATA

FLOW LINE (INCHES)	LEACHING (Gall/VF)	LEACHING (FT <sup>2</sup> /UNIT)	INSIDE CAPACITY (GALLONS)
3'-8"	250	28.3	900



**UNITED CONCRETE PRODUCTS INC.**

173 CHURCH STREET  
YALESVILLE, CT 06492

TEL. 800 234-3119  
(203) 269-3119

FAX. (203) 265-4941