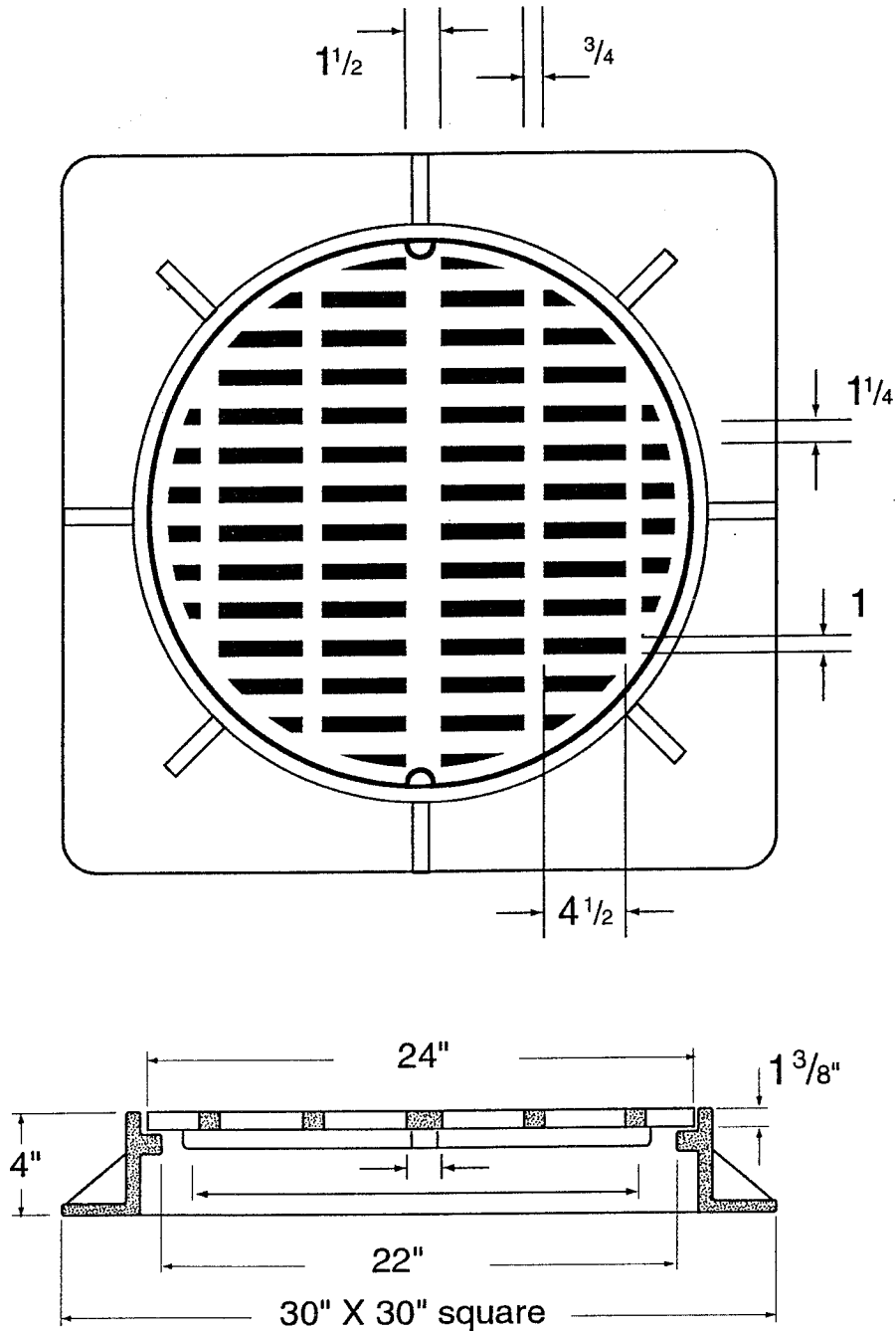


# Square flange heavy duty manholes



Conforms to:  
ASTM A48 CLASS 30B  
SPECIFICATIONS  
SUITABLE FOR  
A.A.S.H.T.O., H20 - S16  
HIGHWAY LOADING