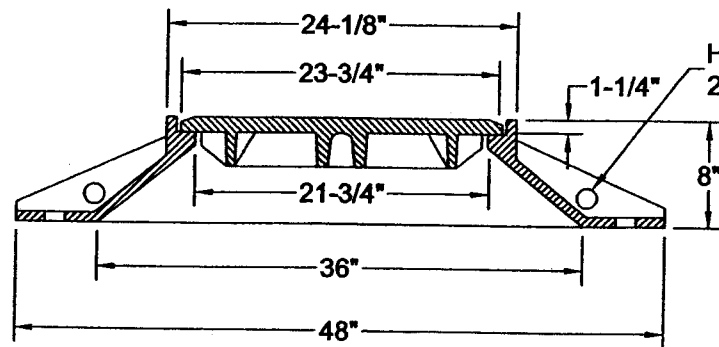


ANCHOR HOLES
8 EA - 1-1/2" Ø



HANDLING HOLES
2 EA - 1-1/2" Ø

MATERIAL : GRAY IRON CASTING
SPECS : A) ASTM - A 48/A 48M - 03, CLASS 30B
 B) FEDERAL A-A-60005
COATING : PAINTED
LOAD : SUITABLE FOR AASHTO H20-44
 & HS 20-44 HIGHWAY LOADING
FINISH : BEARING SURFACES FOR FRAME &
 COVER ARE MACHINED

GENERAL FOUNDRIES INC.
1160 STATE STREET PERTH AMBOY NJ 08861
HARTFORD STD (CT) MANHOLE FRAME
& "SEWER" COVER
DWG. NO. : MDCSS/SLD | DWG. BY : CSK
DATE : MARCH 19, 2007 | CHKD BY : AJ
REV. NO. : | SCALE : NONE | SHEET 1 OF 1