

**TYPICAL EZ BLOCK WALL ELEVATION**  
**SHOWN (3) ROWS HIGH**  
**(WITHOUT GEOGRID)**



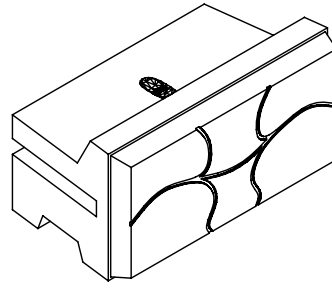
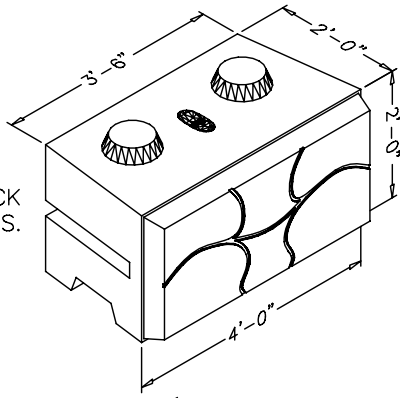
**UNITED CONCRETE PRODUCTS INC.**

173 CHURCH STREET  
 YALESVILLE, CT 06492

TEL. 800 234-3119  
 (203) 269-3119

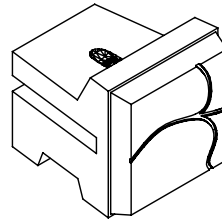
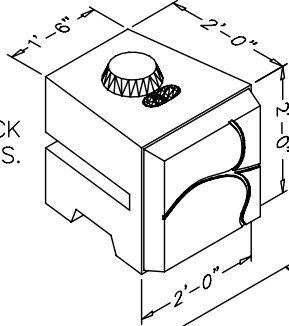
FAX. (203) 265-4941

FULL BLOCK  
WEIGHT 2,250 LBS.



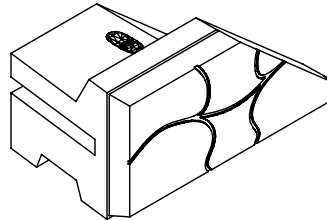
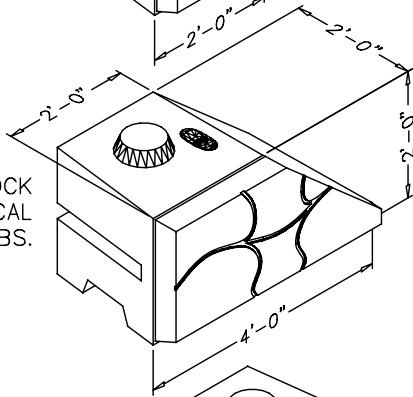
TOP FULL BLOCK  
WEIGHT 2,100 LBS.

HALF BLOCK  
WEIGHT 1,050 LBS.



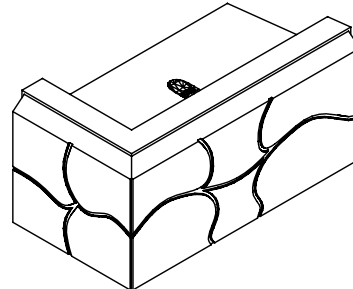
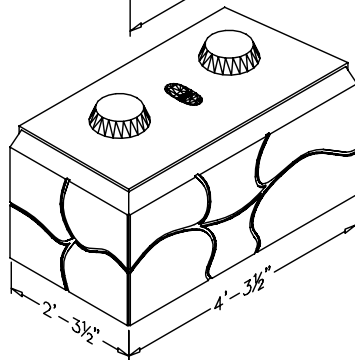
TOP HALF BLOCK  
WEIGHT 975 LBS.

SLOPED BLOCK  
OPPOSITE HAND TYPICAL  
WEIGHT 2,175 LBS.



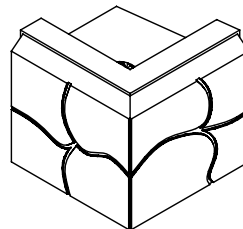
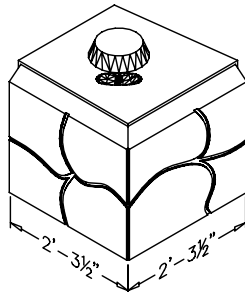
TOP SLOPED BLOCK  
OPPOSITE HAND TYPICAL  
WEIGHT 1,425 LBS.

FULL OUTSIDE  
CORNER BLOCK  
OPPOSITE HAND TYPICAL  
WEIGHT 2,775 LBS.



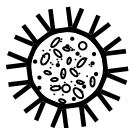
TOP FULL OUTSIDE  
CORNER BLOCK  
OPPOSITE HAND TYPICAL  
WEIGHT 2,400 LBS.

HALF OUTSIDE  
CORNER BLOCK  
OPPOSITE HAND TYPICAL  
WEIGHT 1,400 LBS.



TOP HALF OUTSIDE  
CORNER BLOCK  
OPPOSITE HAND TYPICAL  
WEIGHT 1,175 LBS.

### EZ BLOCK DIMENSIONS



**UNITED CONCRETE PRODUCTS INC.**

173 CHURCH STREET  
YALESVILLE, CT 06492

TEL. 800 234-3119  
(203) 269-3119

FAX. (203) 265-4941