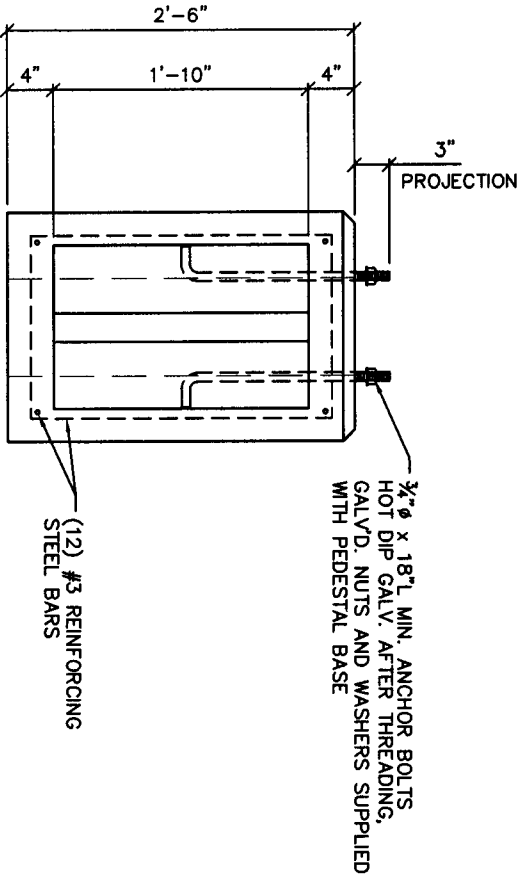


PLAN VIEW



SIDE VIEW

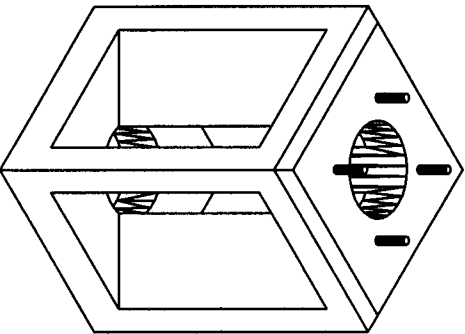
3/4" ϕ x 18" L MIN. ANCHOR BOLTS
HOT DIP GALV. AFTER THREADING,
GALV'D. NUTS AND WASHERS SUPPLIED
WITH PEDESTAL BASE

(12) #3 REINFORCING
STEEL BARS

GENERAL NOTES:

1. DESIGN CONFORMS TO CDOT AND LOCAL SPECIFICATIONS.
2. CONCRETE COMPRESSIVE STRENGTH: 4,000 PSI @ 28 DAYS.
3. REINFORCING STEEL DEFORMED BARS CONFORM TO LATEST ASTM SPECIFICATION A615.
4. ALL REINFORCING SHALL HAVE 1/2" MIN. CONCRETE COVER.
5. METHOD OF MANUFACTURE: WET CAST.
6. STRUCTURE SHALL BE CAST USING A SELF COMPACTING CONCRETE MIX.
7. SECTION IS MONOLITHIC.
8. ALL EXPOSED EDGES TO RECEIVE 1" x 1" CHAMFER

APPROXIMATE WEIGHT: 550 LBS.



UNITED CONCRETE PRODUCTS, Inc
173 CHURCH STREET
VALESVILLE, CT 06492
TEL: (203)-269-3119
FAX: (203)-265-4941

TRAFFIC CONTROL FOUNDATION PEDESTAL TYPE I		UCP JOB NUMBER
CUSTOMER	SCALE	3/4" = 1'-0"
JOB	DATE	
LOCATION	DRW	
	CHK	
		SHEET
		FP-1