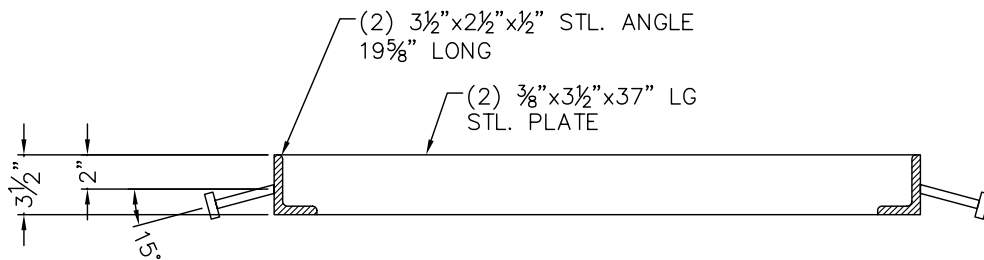
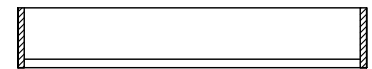


PLAN VIEW



SECTION A-A



SECTION B-B

GALVANIZED AFTER FABRICATION

**FRAME & GRATE CONFORMS TO
CTDOT STANDARD DWG# 507-K**

APPROX. WT - 60 LBS

UNITED CONCRETE
PRODUCTS, Inc.

173 CHURCH STREET
YALESVILLE, CT 06492
TEL: (203)-269-3119
FAX: (203)-265-4941

CATCH BASIN FRAME

CUSTOMER

JOB

LOCATION

SCALE

NONE

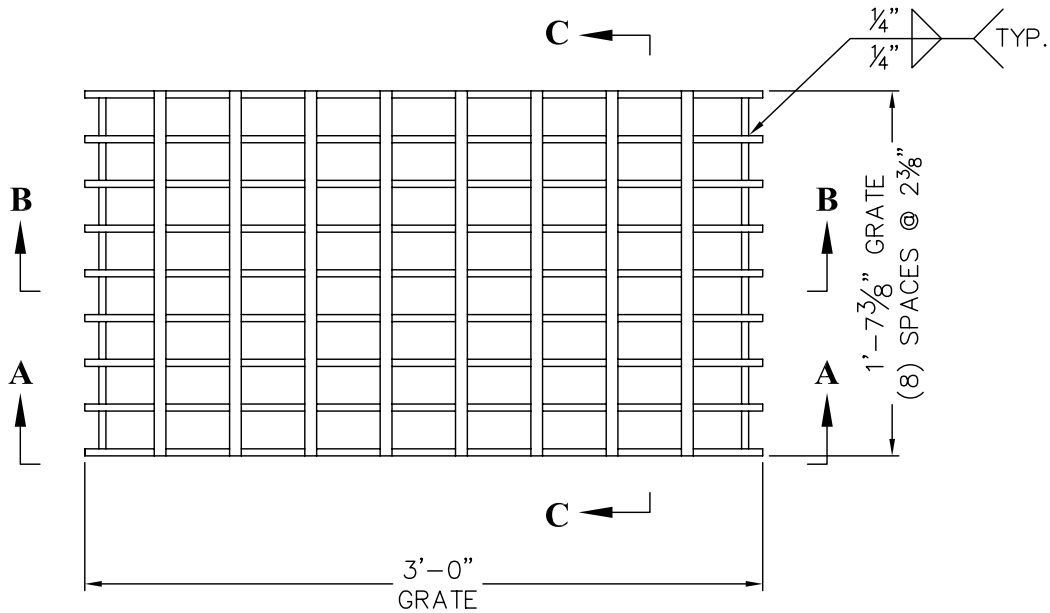
DATE **10/11/06**

SHEET

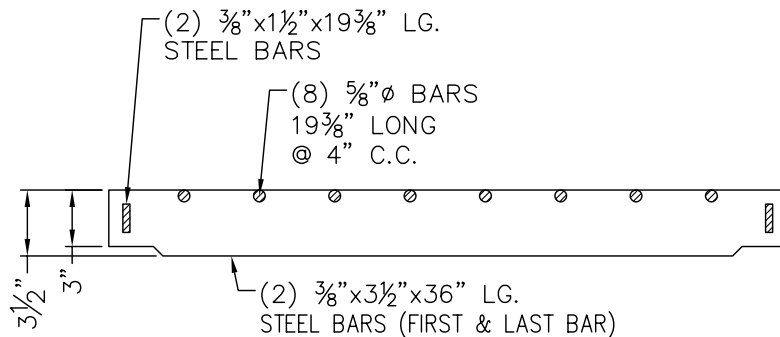
DRW **DH**

CHK **JLT**

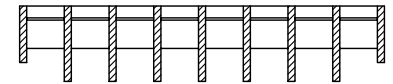
SK-1



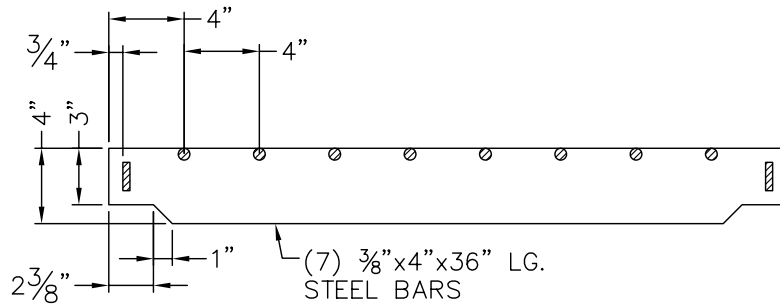
PLAN VIEW



SECTION A-A



SECTION C-C



SECTION B-B

GALVANIZED AFTER FABRICATION

**FRAME & GRATE CONFORMS TO
CTDOT STANDARD DWG# 507-K**

APPROX. WT - 142 LBS

UNITED CONCRETE
PRODUCTS, Inc.

173 CHURCH STREET
YALESVILLE, CT 06492
TEL: (203)-269-3119
FAX: (203)-265-4941

CATCH BASIN GRATE - TYPE A

CUSTOMER

JOB

LOCATION

SCALE

NONE

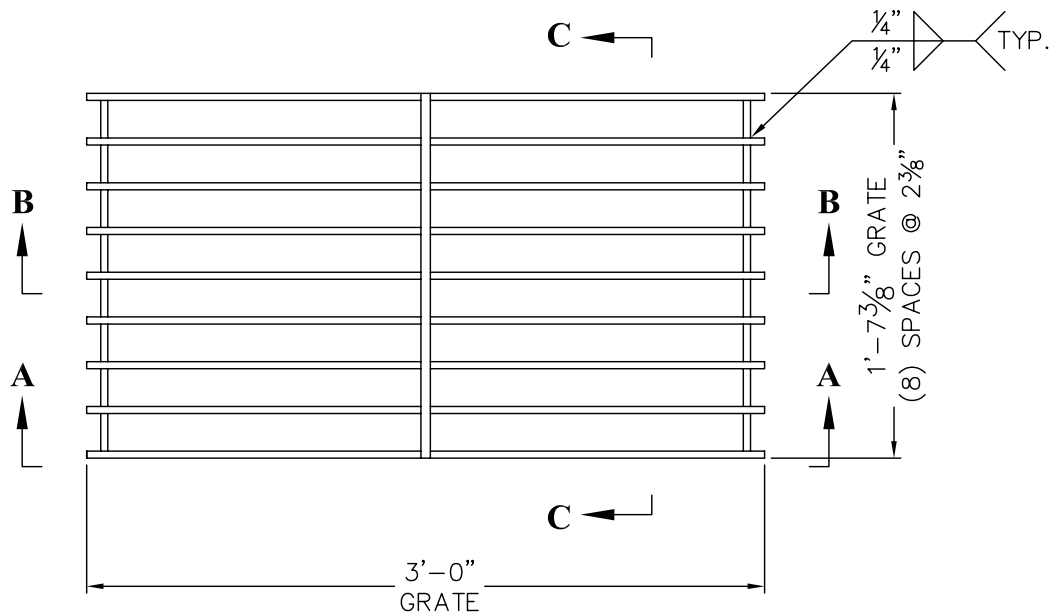
DATE **10/11/06**

SHEET

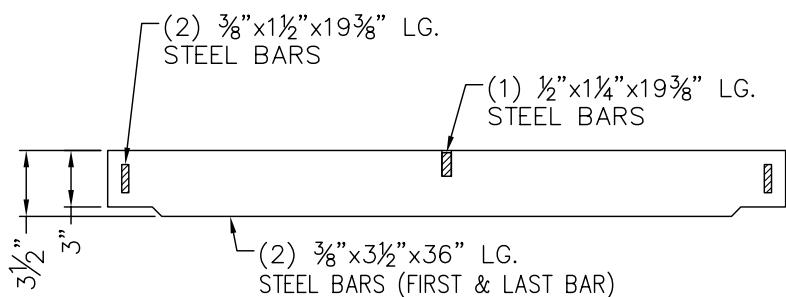
DRW **DH**

CHK **JLT**

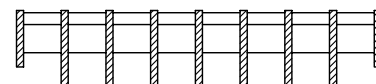
SK-2



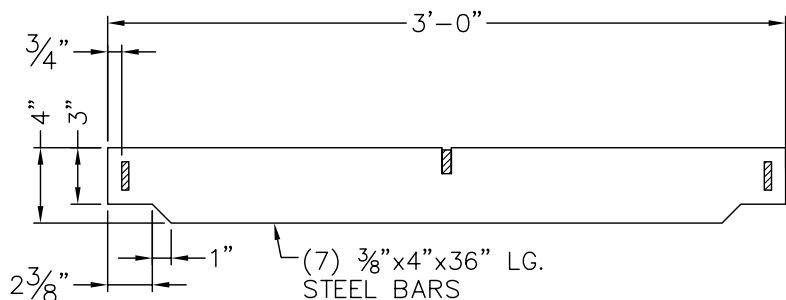
PLAN VIEW



SECTION A-A



SECTION C-C



SECTION B-B

GALVANIZED AFTER FABRICATION

**FRAME & GRATE CONFORMS TO
CTDOT STANDARD DWG# 507-K**

APPROX. WT - 134 LBS

UNITED CONCRETE
PRODUCTS, Inc.

173 CHURCH STREET
YALESVILLE, CT 06492
TEL: (203)-269-3119
FAX: (203)-265-4941

CATCH BASIN GRATE - TYPE B

CUSTOMER

JOB

LOCATION

SCALE

NONE

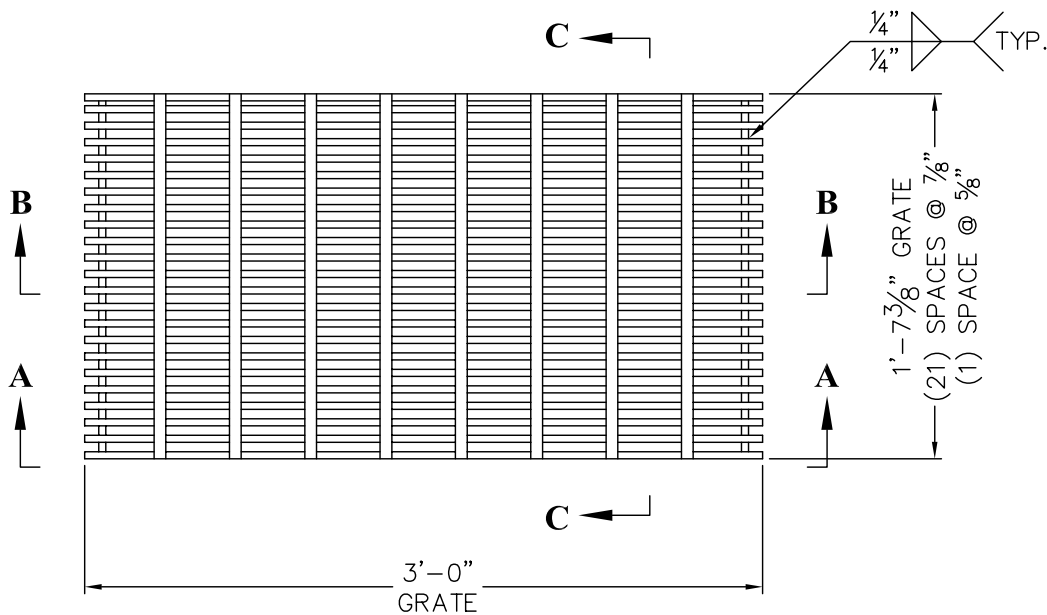
DATE **10/11/06**

SHEET

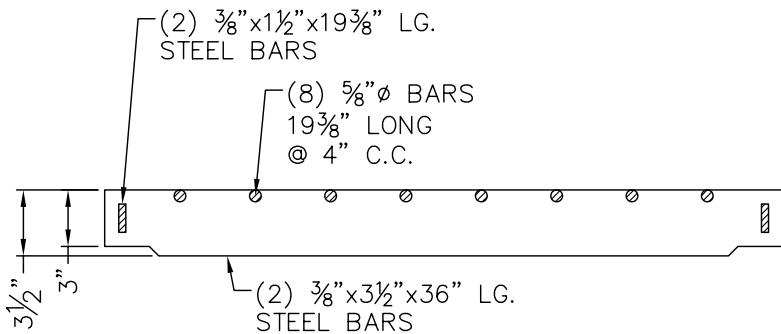
DRW **DH**

CHK **JLT**

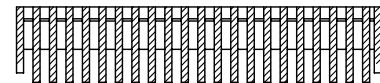
SK-3



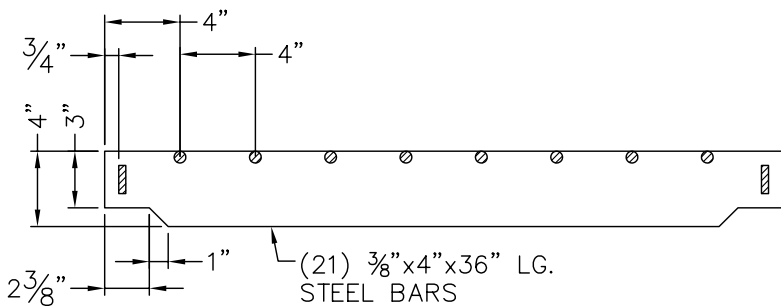
PLAN VIEW



SECTION A-A



SECTION C-C



SECTION B-B

**PAINTED or GALVANIZED
 AFTER FABRICATION**

APPROX. WT - 343 LBS

UNITED CONCRETE
 PRODUCTS, Inc.

173 CHURCH STREET
 YALESVILLE, CT 06492
 TEL: (203)-269-3119
 FAX: (203)-265-4941

CATCH BASIN GRATE - TYPE ADA

CUSTOMER

JOB

LOCATION

SCALE

NONE

DATE **10/11/06**

SHEET

DRW **DH**

SK-4

CHK **JLT**