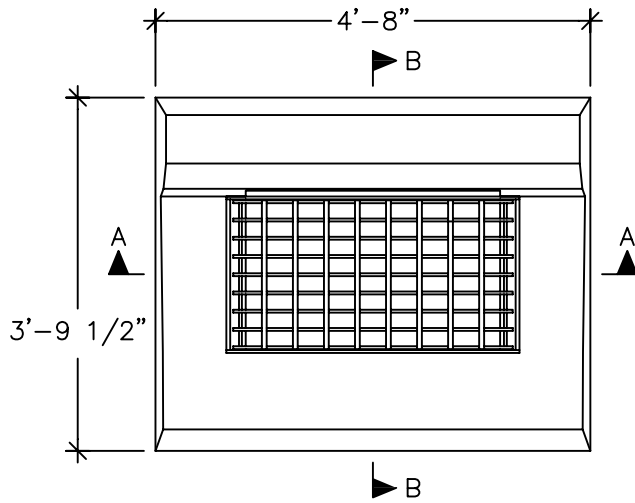


TYPE "CB" CATCH BASIN TOP

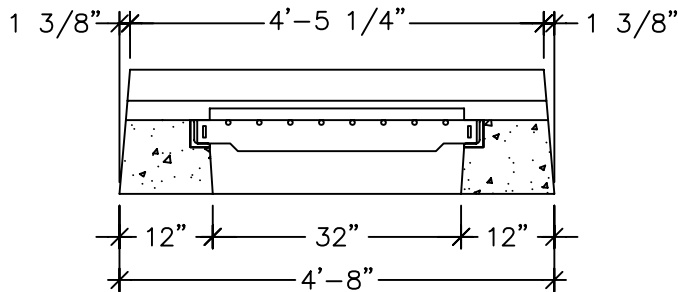
DESIGN COMFORMS TO CONNDOT
STANDARD DRAWINGS 507 I,J,K&M.

DESIGN NOTES:

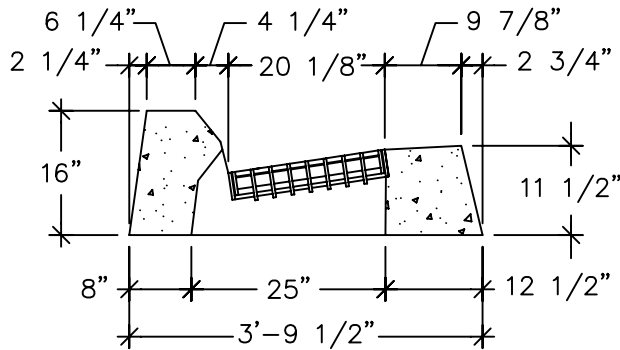
1. REINFORCING STEEL CONFORMS TO LATEST ASTM SPECIFICATION A185.
2. CONCRETE COMPRESSIVE STRENGTH- 4000 PSI AT 28 DAYS.
3. METHOD OF MANUFACTURE: WET CAST.
4. TOP SHALL BE CAST USING A SELF COMPACTING CONCRETE MIX.
5. SECTION IS MONOLITHIC.



TOP PLAN VIEW



SECTION A-A



SECTION B-B

WEIGHT CHART

PRODUCT	APPROX WEIGHT
"CB" TOP	4000 LBS.



UNITED CONCRETE PRODUCTS INC.

173 CHURCH STREET
YALESVILLE, CT 06492

TEL. 800 234-3119
(203) 269-3119

FAX. (203) 265-4941