

TYPE "CG" CATCH BASIN TOP

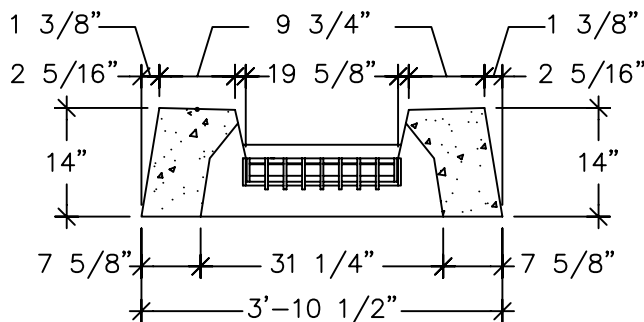
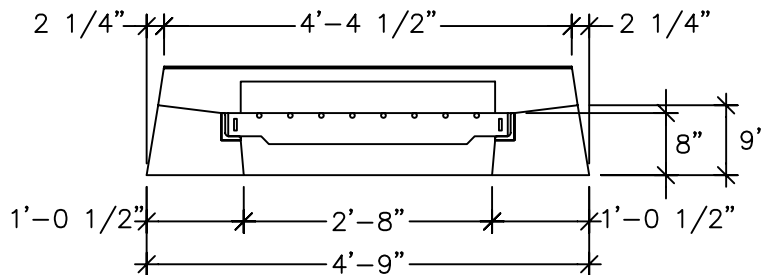
DESIGN COMFORMS TO STATE
AND LOCAL SPECIFICATIONS.

DESIGN NOTES:

1. REINFORCING STEEL CONFORMS TO LATEST ASTM SPECIFICATION A185.
2. CONCRETE COMPRESSIVE STRENGTH- 4000 PSI AT 28 DAYS.
3. METHOD OF MANUFACTURE: WET CAST.
4. SECTION IS MONOLITHIC.

WEIGHT CHART

PRODUCT	APPROX WEIGHT
TYPE "CG" TOP	4000 LBS.



UNITED CONCRETE PRODUCTS INC.

173 CHURCH STREET
YALESVILLE, CT 06492

TEL. 800 234-3119
(203) 269-3119

FAX. (203) 265-4941