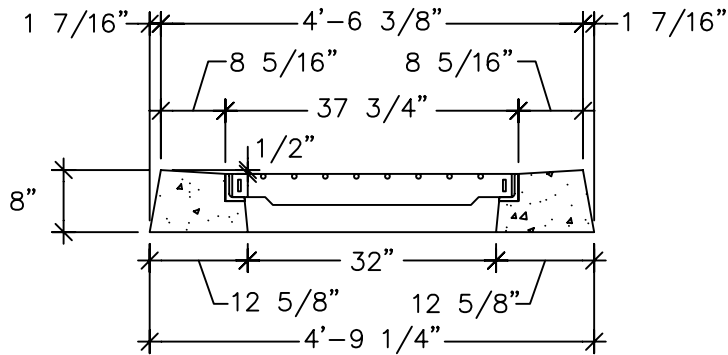
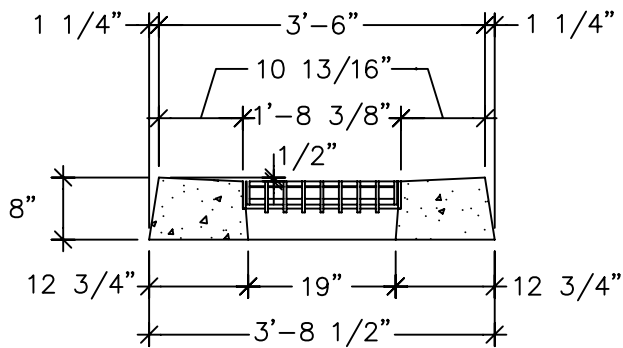


**TOP PLAN VIEW**



**SECTION A-A**



**SECTION B-B**

# TYPE "C-L" CATCH BASIN TOP

DESIGN COMFORMS TO CONNDOT  
STANDARD DRAWINGS 507 I,J,K&M.

DESIGN NOTES:

1. REINFORCING STEEL CONFORMS TO LATEST ASTM SPECIFICATION A185.
2. CONCRETE COMPRESSIVE STRENGTH- 4000 PSI AT 28 DAYS.
3. METHOD OF MANUFACTURE: WET CAST.
4. TOP SHALL BE CAST USING A SELF COMPACTING CONCRETE MIX.
5. SECTION IS MONOLITHIC.

**WEIGHT CHART**

PRODUCT	APPROX WEIGHT
"CL" TOP	4000 LBS.



**UNITED CONCRETE PRODUCTS INC.**

173 CHURCH STREET  
YALESVILLE, CT 06492

TEL. 800 234-3119  
(203) 269-3119

FAX. (203) 265-4941