

# TYPE "CM" BARRIER CURB CATCH BASIN TOP

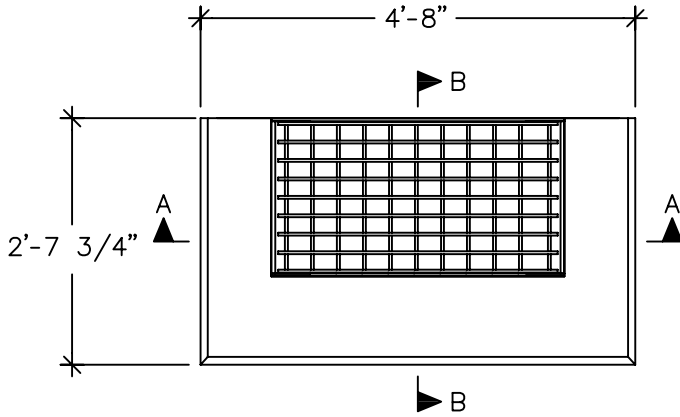
DESIGN CONFORMS TO CTDOT  
AND LOCAL SPECIFICATIONS.

### DESIGN NOTES:

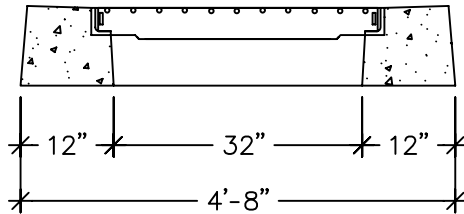
1. REINFORCING STEEL DEFORMED BARS CONFORM TO LATEST ASTM SPECIFICATION A615, GRADE 60.
2. CONCRETE COMPRESSIVE STRENGTH— 4,000 PSI AT 28 DAYS SELF COMPACTING CONCRETE MIX.
3. METHOD OF MANUFACTURE: WET CAST.
4. SECTION IS MONOLITHIC.
5. FRAME & GRATE— PAINTED OR GALVANIZED AVAILABLE.
6. GRATE— TYPE A OR B ARE AVAILABLE.

### WEIGHT CHART

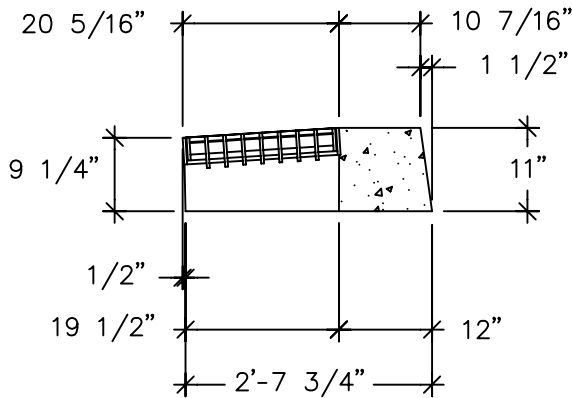
PRODUCT	APPROX WEIGHT
TYPE "CM" TOP	1200 LBS



**TOP PLAN VIEW**



**SECTION A-A**



**SECTION B-B**



**UNITED CONCRETE PRODUCTS INC.**

173 CHURCH STREET  
YALESVILLE, CT 06492

TEL. 800 234-3119  
(203) 269-3119

FAX. (203) 265-4941