

# TYPE "CB" CATCH BASIN TOP

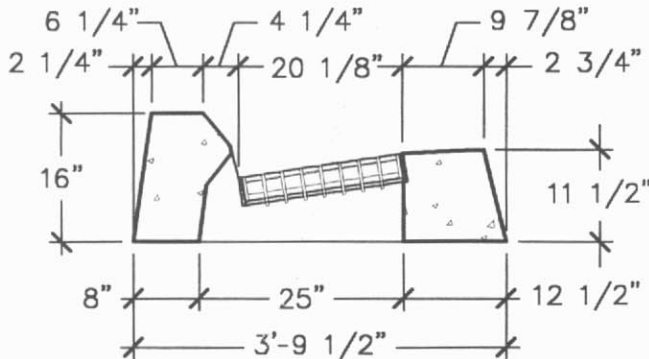
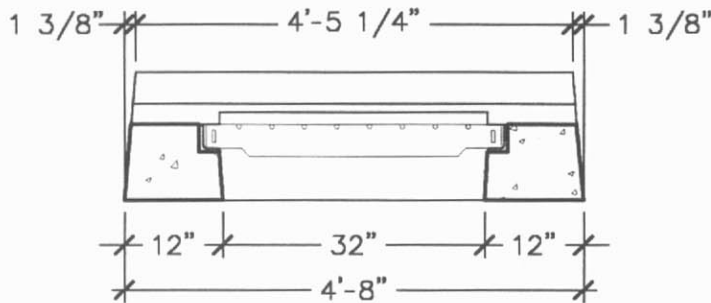
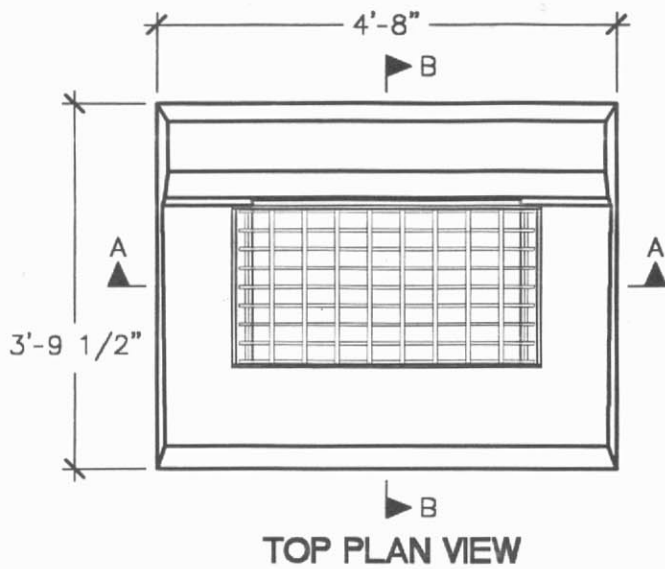
DESIGN COMFORMS TO STATE  
AND LOCAL SPECIFICATIONS.

## DESIGN NOTES:

1. REINFORCING STEEL CONFORMS TO LATEST ASTM SPECIFICATION A185.
2. CONCRETE COMPRESSIVE STRENGTH- 4000 PSI AT 28 DAYS.
3. METHOD OF MANUFACTURE: WET CAST.
4. SECTION IS MONOLITHIC.

## WEIGHT CHART

PRODUCT	APPROX WEIGHT
"CB" TOP	4000 LBS.



93/4  
?



**UNITED CONCRETE PRODUCTS INC.**

173 CHURCH STREET  
YALESVILLE, CT 06492

TEL. 800 234-3119  
(203) 269-3119

FAX. (203) 265-4941