

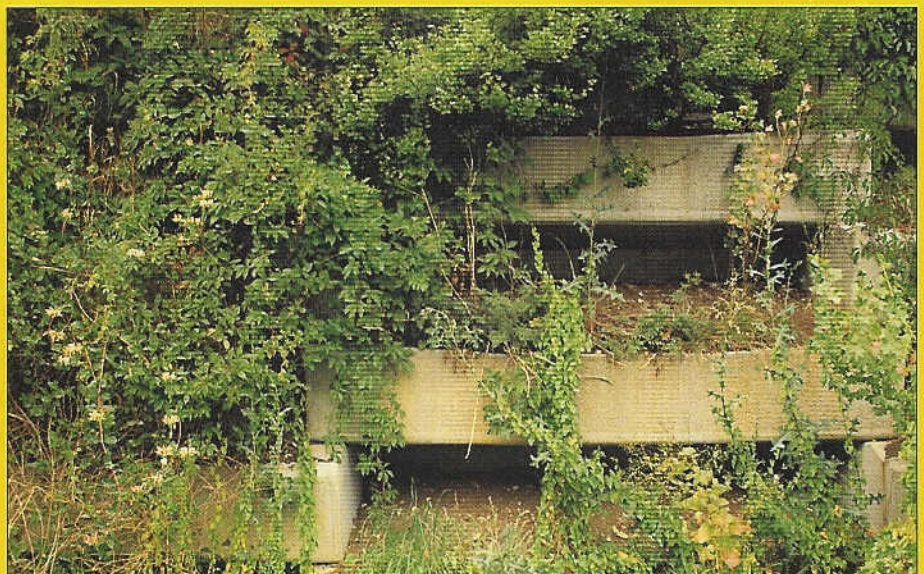
Finally A Precast Planted Wall System at Block Wall Prices

EVERGREEN GEO



A Simple Precast Retaining Wall System

- ◆ Planted Wall System
- ◆ Quick Installation
- ◆ Variety of Finishes
- ◆ Pre-engineered Product
- ◆ Quality Precast Concrete
- ◆ Competitively priced
- ◆ Fifteen Years of Experience
- ◆ Units Cover 40 sq. ft. of wall surface
- ◆ Crushed Stone Footings
- ◆ Free On-Site Supervision Provided
- ◆ Virtually Graffiti Proof
- ◆ Sound Absorptive



1-800-234-3119 EXT 30

FAX 1-203-265-4941

EVERGREEN GEO

"AN AESTHETICALLY PLEASING WALL SYSTEM"



United Concrete Products

173 Church Street
Yalesville, CT 06492
1-800-234-3119 Ext 30

SIMPLE AND INEXPENSIVE

Element	Base	Concrete	Earth	Wall Coverage
type	width	unit wgt.	cu. yd.	sq. feet
"A"	8'	3500 lbs.	2.28	40

The **Evergreen Geo** concept has much in common with our Evergreen wall as it is from the same source of technology and utilizes more than fifteen years of engineering and experience gained from our Evergreen system.

Combining today's superior performance of precast concrete and **United Concrete's** vast knowledge in producing quality assured products, we can now offer an attractive, simple and inexpensive system for both small walls as well as for the strict demands of higher wall designs especially where green planted walls are desirable by the client.

The **Evergreen Geo** wall design virtually eliminates the need for poured in place concrete footings. This greatly reduces site preparation time and allows for all weather construction: two important factors in today's cost conscious market.



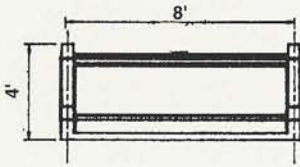
The functional "drawer" shaped units are stacked on top another in a checker-board like pattern and are then filled with soil.

The units are 8'4-1/2" wide and 2'6" high. Wall sections are stacked with a batter of either 3:1 or 4:1. Using this system each unit covers 40 square feet of wall surface.

In addition, the large 40 square feet of wall coverage per unit considerably reduces placing time and overall construction costs.

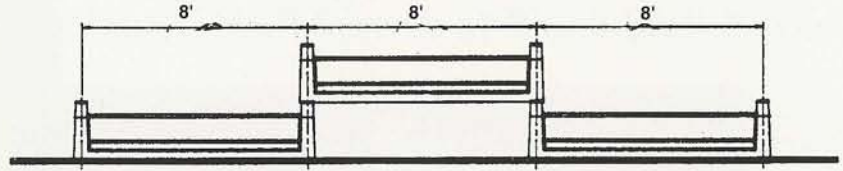
The Evergreen Geo is the solution to your retaining wall needs.

PLAN VIEW

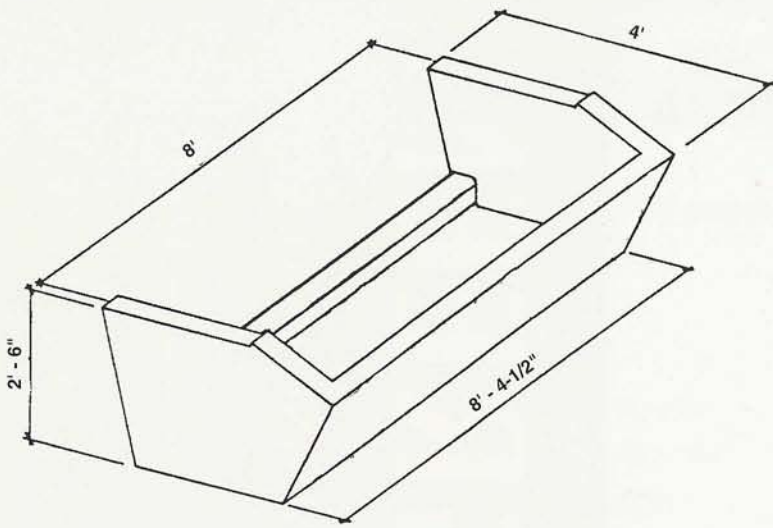
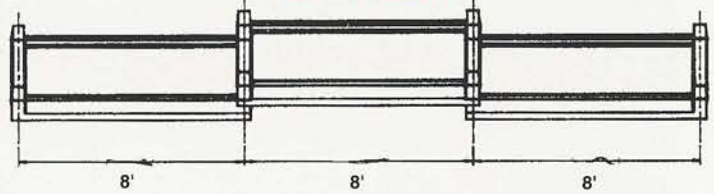


A base of 1/2" crushed stone is generally recommended. A poured concrete footing may be necessary if unstable ground conditions exist. Consult our engineering department for further information.

ELEVATION



PLAN VIEW



FEATURES

- No crane necessary
- Small backhoe suitable
- Impossible to remove elements by hand
- Simple installation
- Aesthetically pleasing
- All weather construction
- Standard section in stock
- Less concrete
- Excellent plant growth
- Deep topsoil pockets
- Quality precast concrete construction

APPLICATIONS FOR HIGH WALLS

Evergreen-Geo can be used for retaining walls over 20' high with the addition of concrete extension beams attached to the units.

