

# DIFFUSER BOX

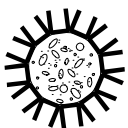
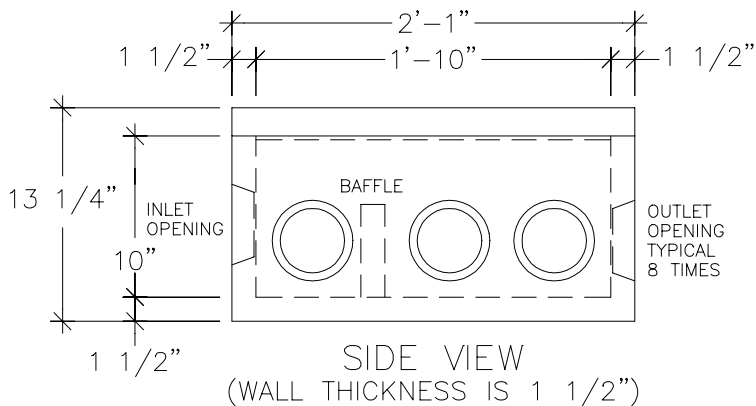
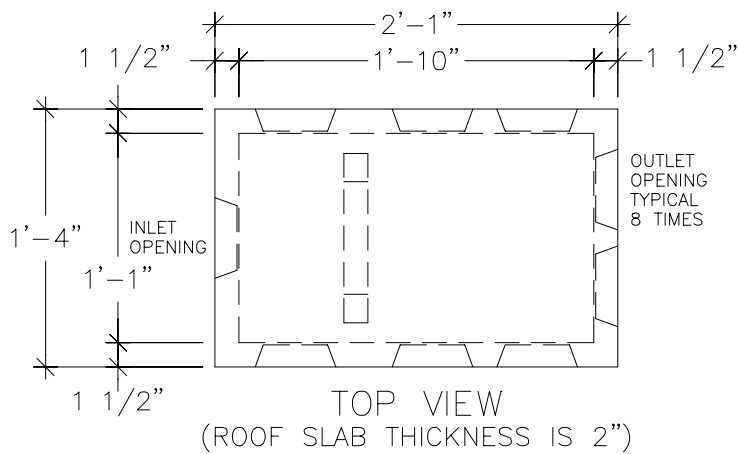
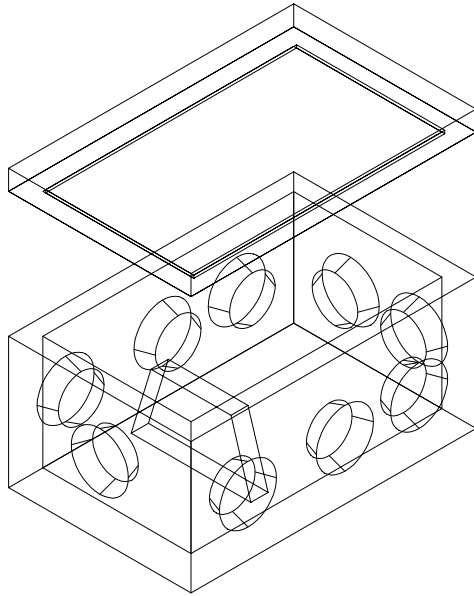
DIFFUSER BOX DESIGN SPECIFICATION  
CONFORMS TO LATEST:  
ASTM DESIGNATION C913

NOTES:

1. PIPE INLET AND OUTLET LOCATIONS HAVE POLYLOK PIPE SEALS.
2. CONCRETE COMPRESSIVE STRENGTH- 4000 PSI AT 28 DAYS.
3. METHOD OF MANUFACTURE: WET CAST.
4. SECTION IS MONOLITHIC.

WEIGHT CHART

PRODUCT	APPROX WEIGHT
DIFFUSER BOX	230 LBS.



**UNITED CONCRETE PRODUCTS INC.**

173 CHURCH STREET  
YALESVILLE, CT 06492

TEL. 800 234-3119  
(203) 269-3119

FAX. (203) 265-4941