

1250 GALLON HS-20 SEPTIC TANK

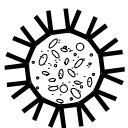
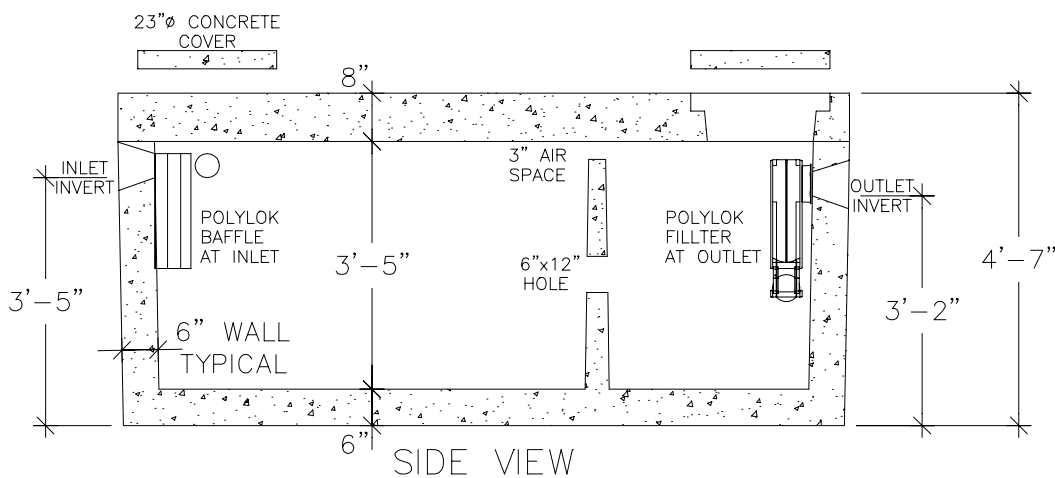
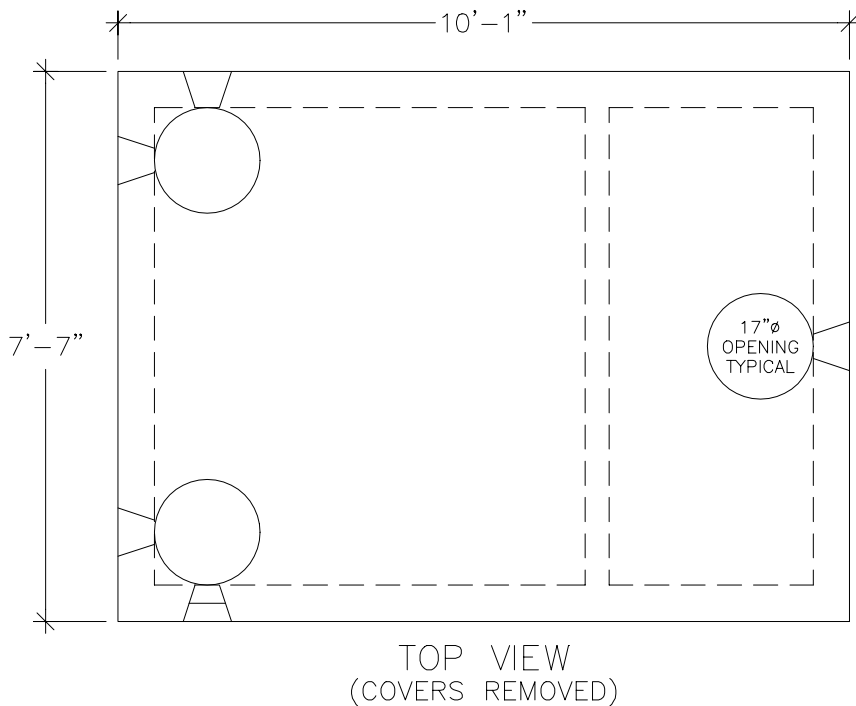
TANK DESIGN SPECIFICATION
CONFORMS TO LATEST:
ASTM DESIGNATION C1227

NOTES:

1. JOINT SEALANT IS BUTYL RUBBER MASTIC TYPE SEAL THAT CONFORMS TO LATEST AASHTO SPECIFICATION M-198. MEETS FEDERAL SPECIFICATION SS-S-0021(210-A).
2. PIPE INLET AND OUTLET LOCATIONS HAVE POLYLOK II PIPE SEALS.
3. REINFORCING STEEL WELDED WIRE FABRIC CONFORMS TO LATEST ASTM SPECIFICATION A185.
4. REINFORCING STEEL DEFORMED BARS CONFORM TO LATEST ASTM SPECIFICATION A615.
3. CONCRETE COMPRESSIVE STRENGTH- 4000 PSI AT 28 DAYS.
5. METHOD OF MANUFACTURE: WET CAST.
6. SECTIONS ARE MONOLITHIC.

WEIGHT CHART

PRODUCT	APPROX WEIGHT
TANK	23000 LBS.



UNITED CONCRETE PRODUCTS INC.

173 CHURCH STREET
YALESVILLE, CT 06492

TEL. 800 234-3119
(203) 269-3119

FAX. (203) 265-4941