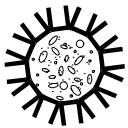
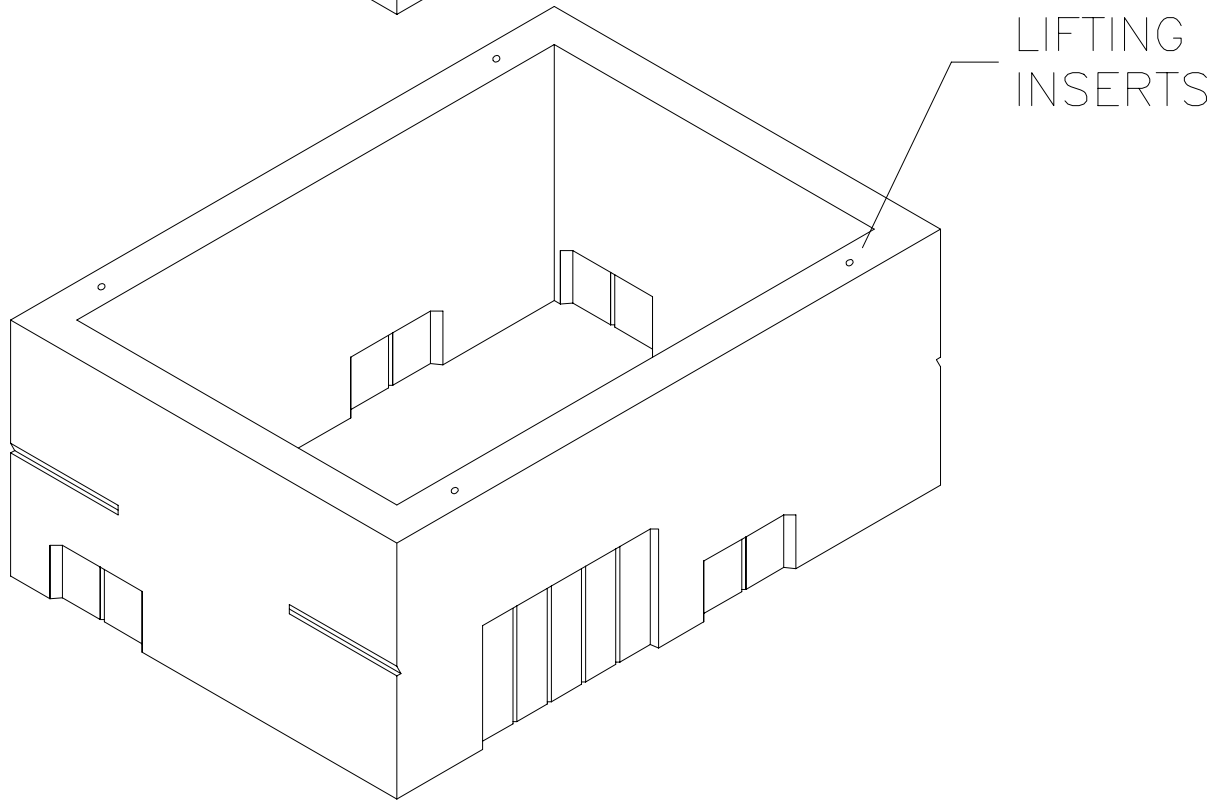
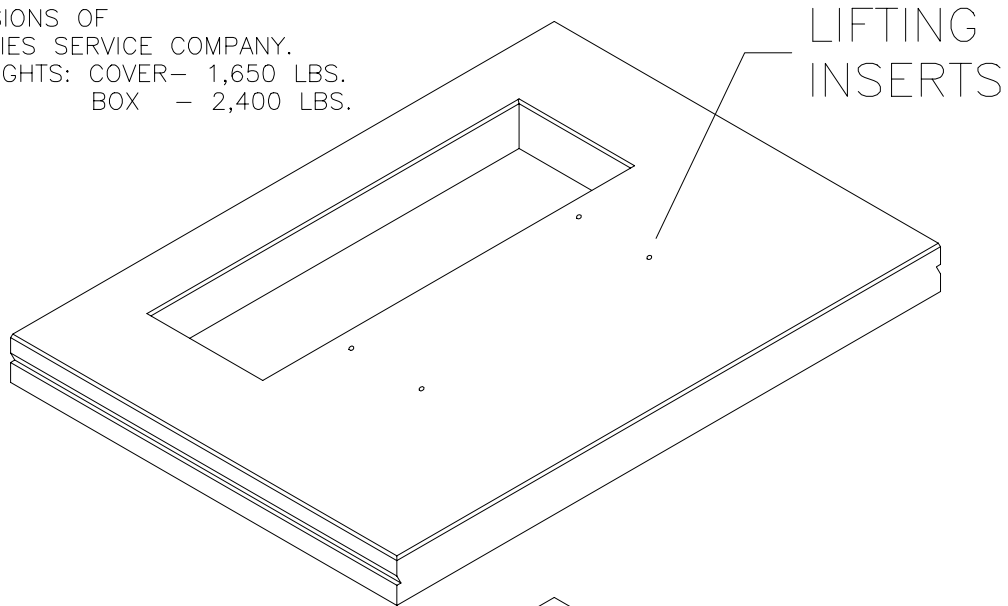


TRANSFORMER PAD 3 PHASE P-13

NOTES:

1. CONCRETE COMPRESSIVE STRENGTH
- 4000 PSI @ 28 DAYS.
2. MEET ALL PROVISIONS OF
NORTHEAST UTILITIES SERVICE COMPANY.
3. APPROXIMATE WEIGHTS: COVER- 1,650 LBS.
BOX - 2,400 LBS.



UNITED CONCRETE PRODUCTS INC.

173 CHURCH STREET
YALESVILLE, CT 06492

TEL. 800 234-3119
(203) 269-3119

FAX. (203) 265-4941