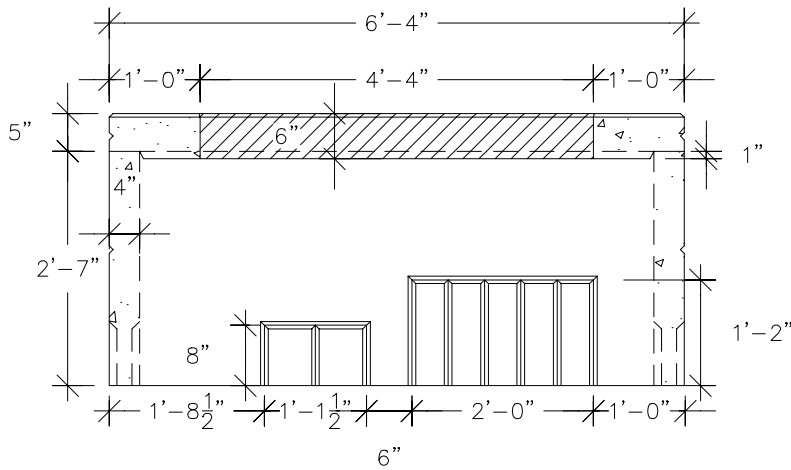
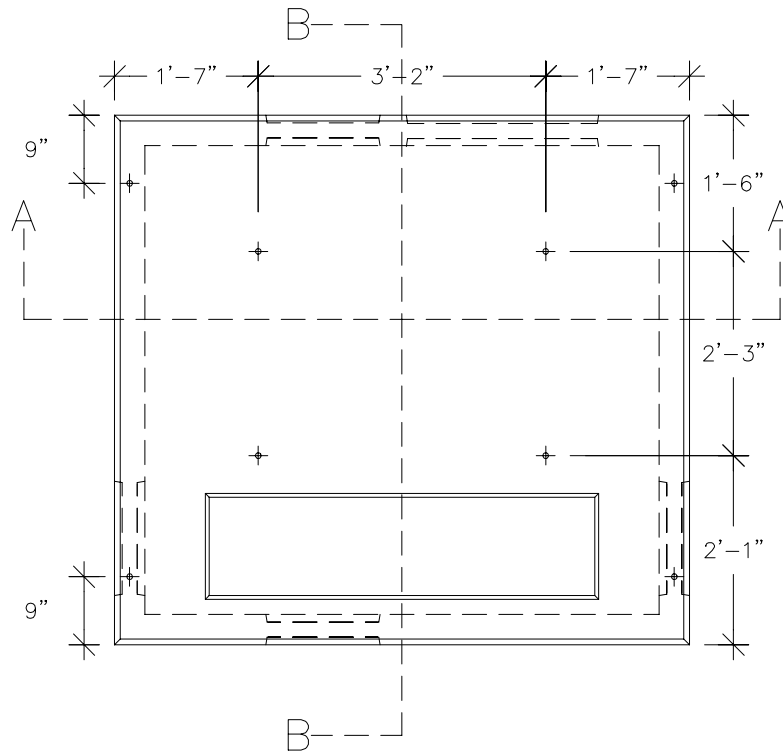
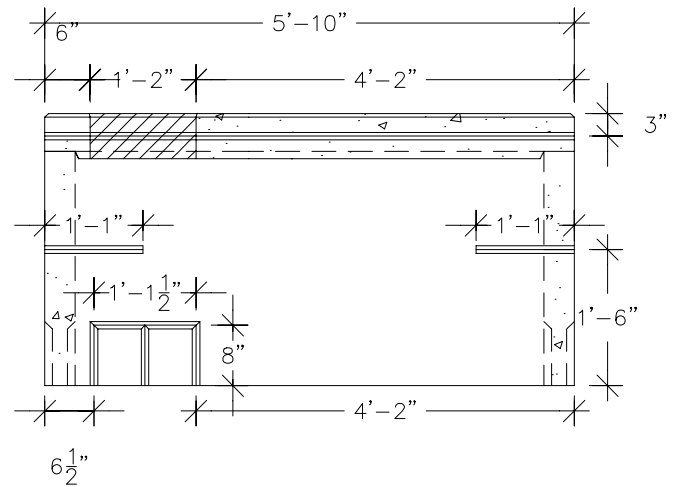


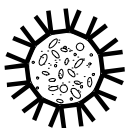
TRANSFORMER PAD 3 PHASE P-15



VIEW A-A



VIEW B-B



UNITED CONCRETE PRODUCTS INC.

173 CHURCH STREET
YALESVILLE, CT 06492

TEL. 800 234-3119
(203) 269-3119

FAX. (203) 265-4941